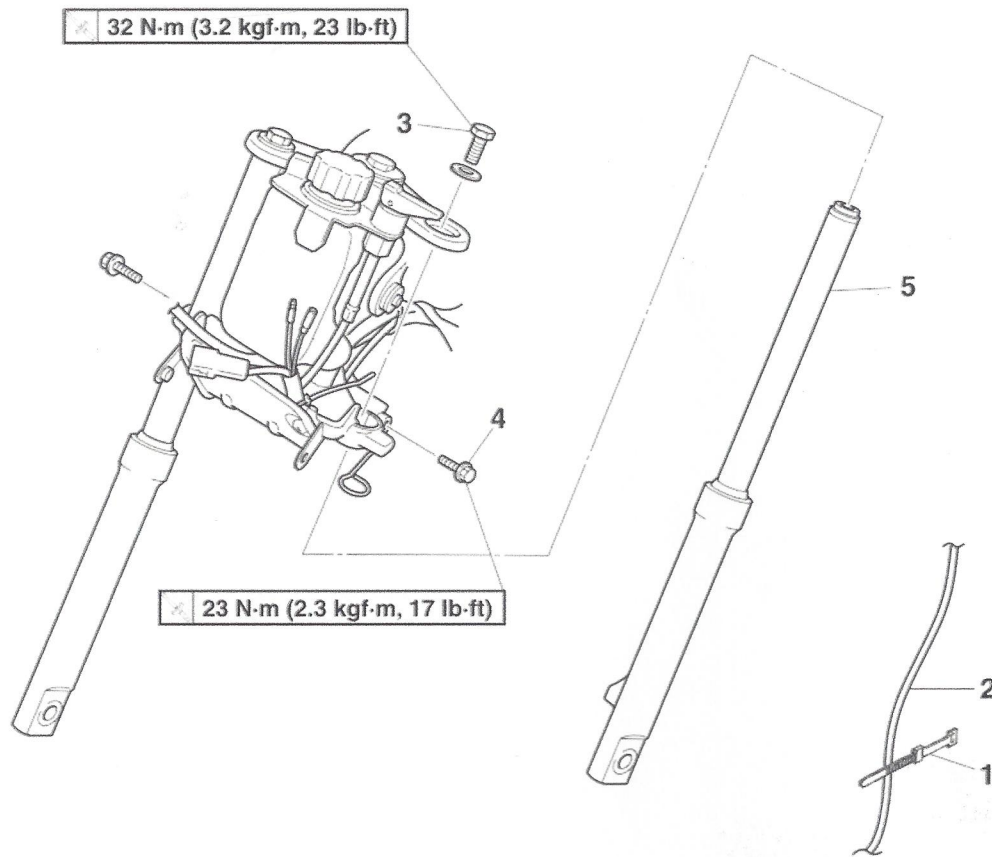


FRONT FORK

Removing the front fork legs



Order	Job/Parts to remove	Q'ty	Remarks
			The following procedure applies to both of the front fork legs.
	Front wheel		Refer to "FRONT WHEEL" on page 4-2.
	Handlebar		Refer to "HANDLEBAR" on page 4-15.
	Oil tank		Refer to "STEERING HEAD" on page 4-24.
1	Band	1	
2	Front brake cable	1	Disconnect.
3	Upper bracket bolt	1	
4	Lower bracket pinch bolt	1	Loosen.
5	Front fork leg	1	