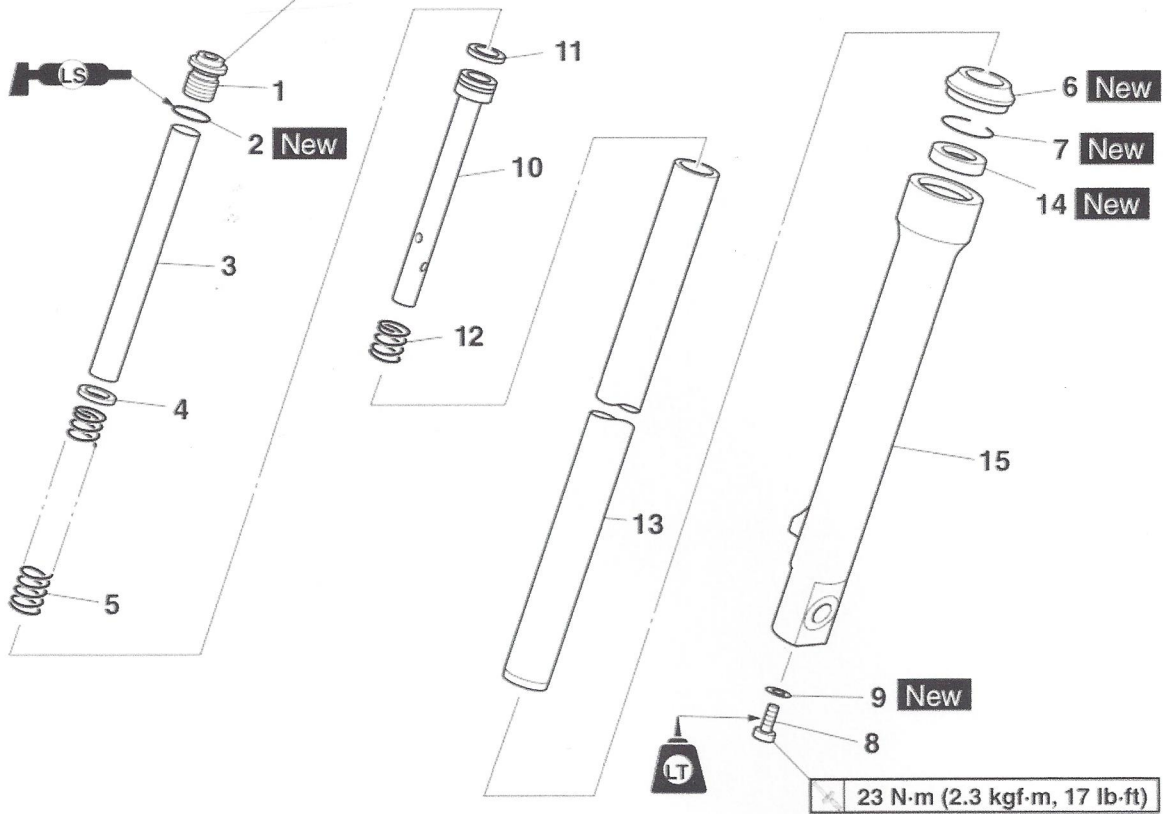


FRONT FORK

Disassembling the front fork legs

22 N·m (2.2 kgf·m, 16 lb·ft)



Order	Job/Parts to remove	Q'ty	Remarks
			The following procedure applies to both of the front fork legs.
1	Cap bolt	1	
2	O-ring	1	
3	Spacer	1	
4	Spring seat	1	
5	Fork spring	1	
6	Dust seal	1	
7	Oil seal clip	1	
8	Damper rod bolt	1	
9	Copper washer	1	
10	Damper rod	1	
11	Damper rod ring	1	
12	Rebound spring	1	
13	Inner tube	1	
14	Oil seal	1	
15	Outer tube	1	